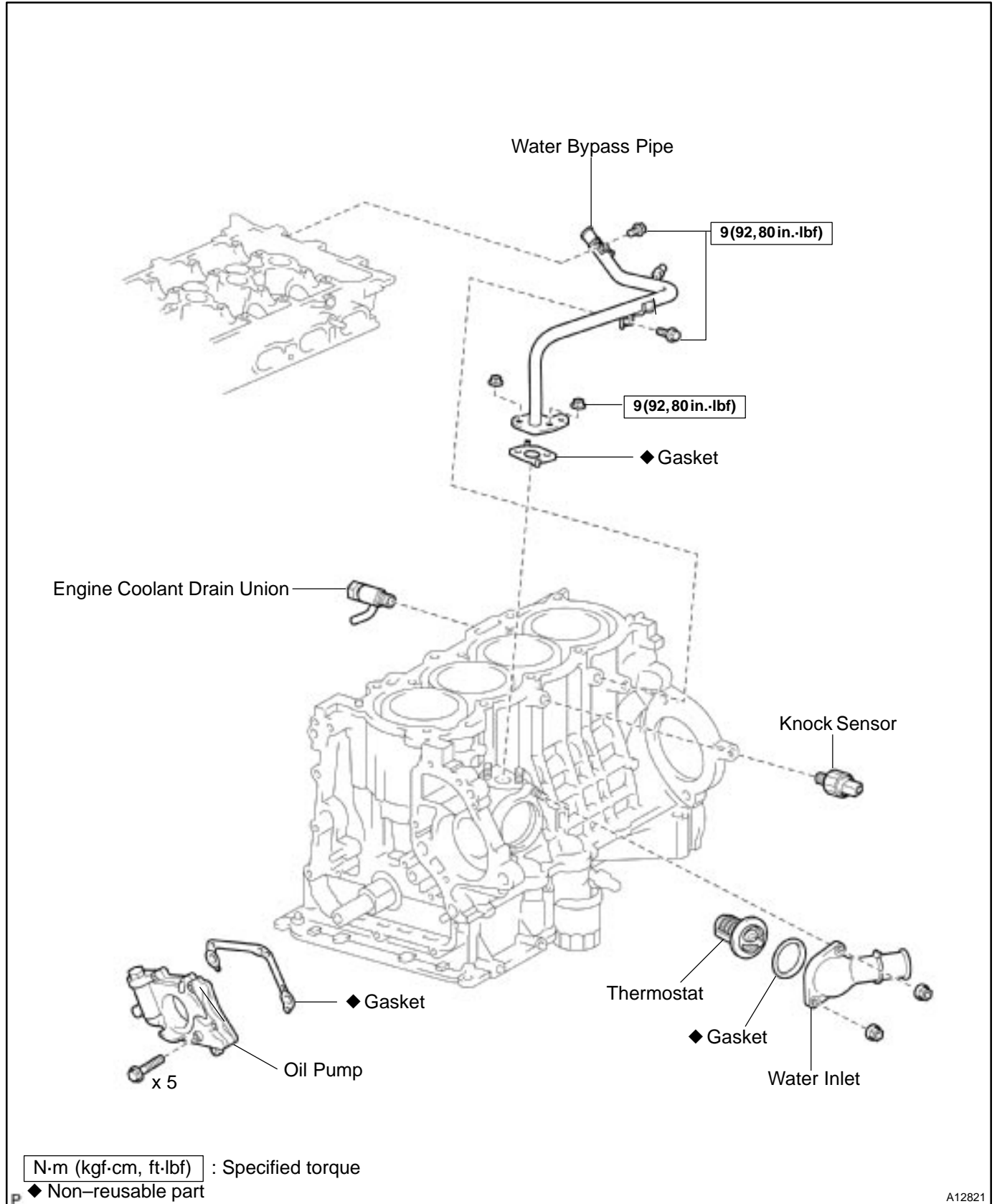
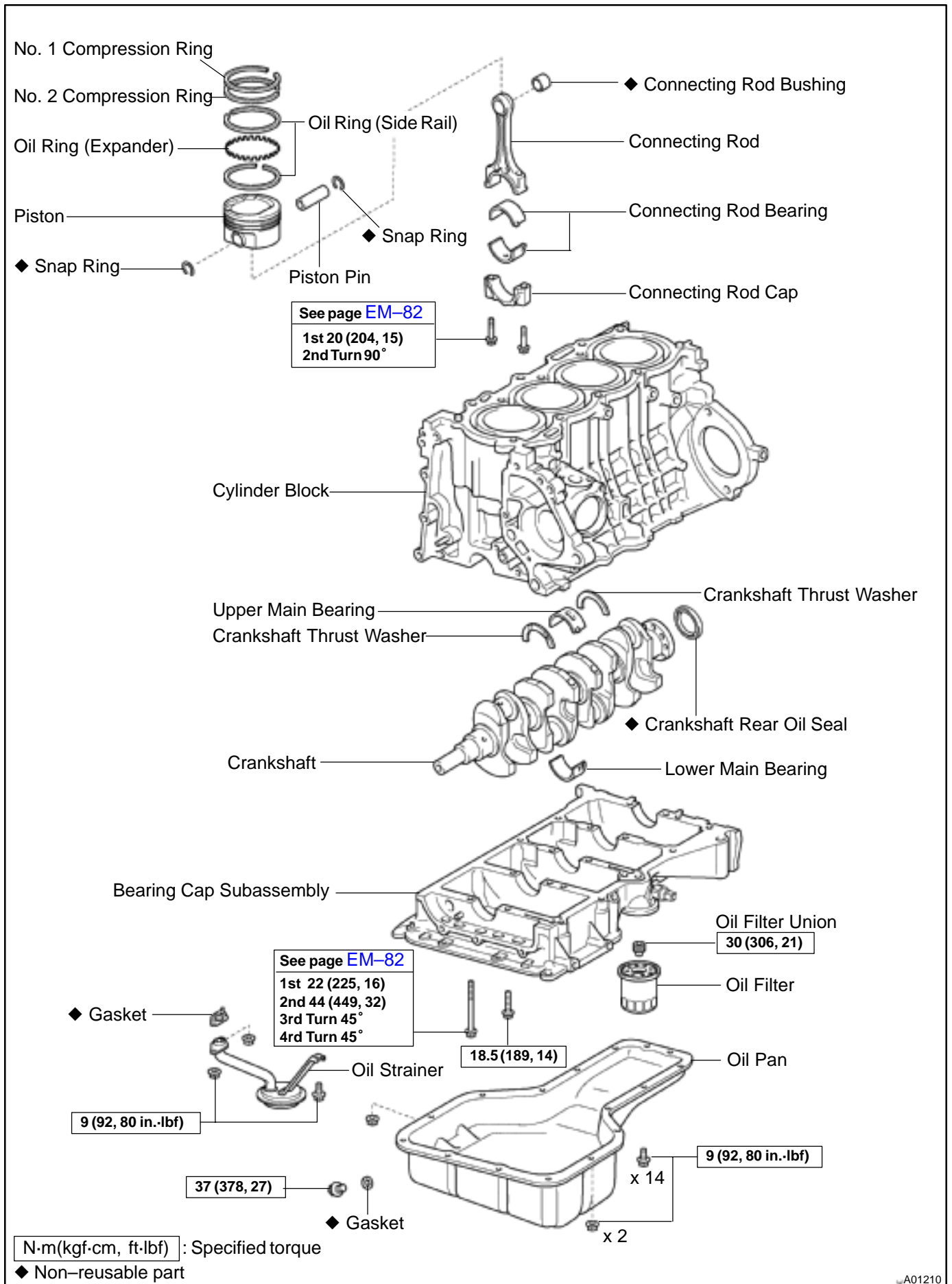


# CYLINDER BLOCK COMPONENTS

EM19P-01





A01210